

IMPORTANT: BATTERY INFORMATION

⚠ CAUTION:

1. Always follow the instructions carefully. Use only batteries specified and be sure to insert them correctly by matching the + and - polarity markings.
2. Do not mix old batteries and new batteries or standard (carbon-zinc) with alkaline batteries.
3. Remove exhausted or dead batteries from the product.
4. Remove batteries if product is not to be played with for a long time.
5. Do not short-circuit the supply terminals.
6. Should this product cause, or be affected by, local electrical interference, move it away from other electrical equipment. Reset (switching off and back on again or removing and re-inserting batteries) if necessary.
7. **RECHARGEABLE BATTERIES:** Do not mix these with any other types of batteries. Always remove from the product before recharging. Recharge batteries under adult supervision. **DO NOT RECHARGE OTHER TYPES OF BATTERIES.**

Hey NERF Nation!

Join us online and keep up with the latest and greatest news from NERF!



Ask a parent before going online.

Questions? Call 1-800-327-8264



Product and colors may vary.

YouTube and the YouTube logo are trademarks of Google Inc.
© 2011 Larami Ltd.
®* and/or TM* & © 2011 Hasbro.
All Rights Reserved.
TM & © denote U.S. Trademarks.
U.S. Pat. Pending.

38422 PN 7225450000

NERF®*

⚠ CAUTION:
Do not aim at eyes or face.
TO AVOID INJURY: Use only clean tap water.

Water resistant. Do not submerge.

AGES 6+

BATTERY COVER

STOCK RELEASE SWITCH

STOCK

CLIP RELEASE SWITCH (BEHIND SHIELD)

BLAST SHIELD

WATER DRUM

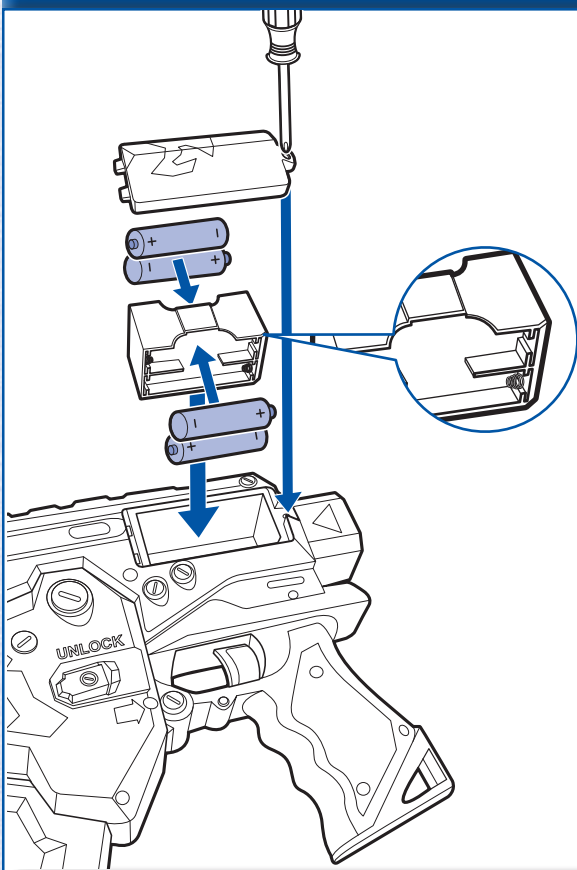
Super Soaker®

LIGHTNINGSTORM™

x4 1.5V AA LR6 size
ALKALINE BATTERIES REQUIRED
NOT INCLUDED

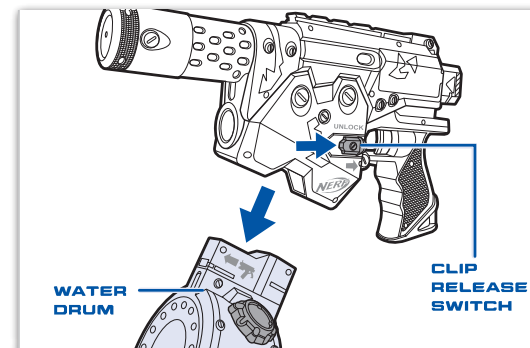
Phillips/cross head screwdriver (not included) needed to insert batteries.

TO INSERT BATTERIES

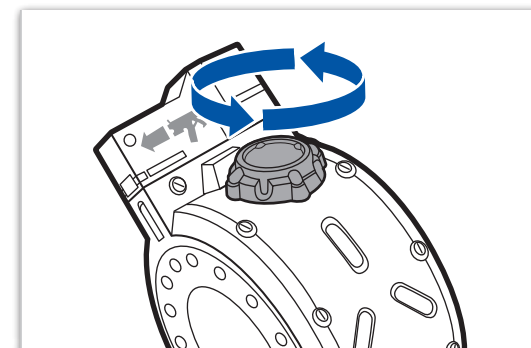


- 1 Use a Phillips/cross head screwdriver (not included) to loosen the screw in the battery compartment door.
- 2 Remove battery case and insert batteries as shown.
- 3 Battery case fits in only one direction. Do not force it.
- 4 Replace door and tighten screw.

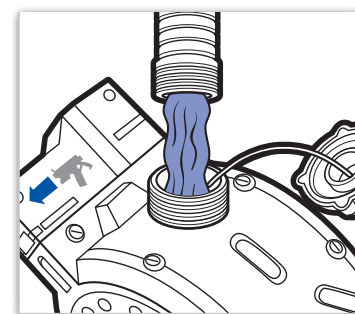
TO PLAY



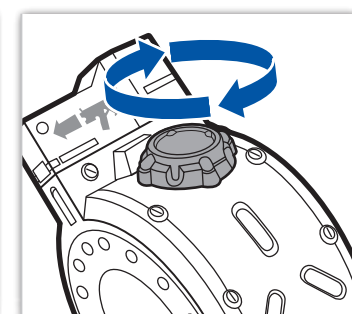
- 1 Slide CLIP RELEASE SWITCH backward and pull WATER DRUM out of soaker.



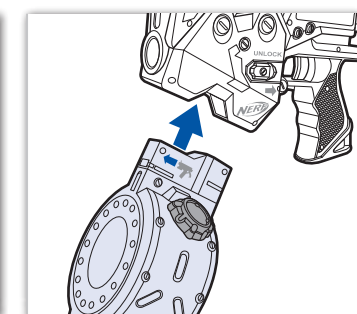
2



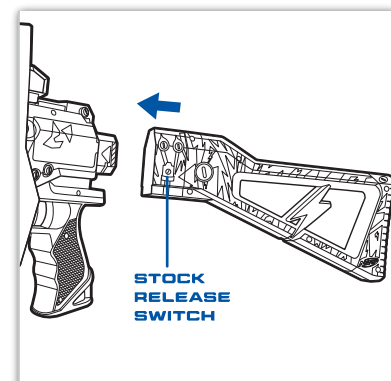
- 3 Fill completely with clean, clear tap water.



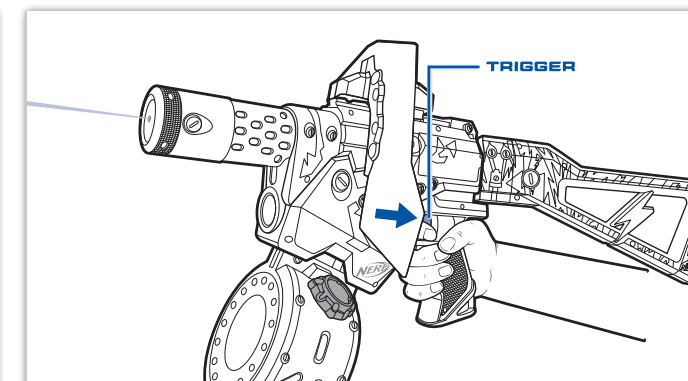
4



- 5 Insert WATER DRUM into soaker with arrow pointing forward. WATER DRUM can only attach in one direction.



- 6 Slide STOCK on until it clicks into place. To remove, slide STOCK RELEASE SWITCH down.



- 7 Pull TRIGGER to launch water.

WATER DRUM 37 FL. OZ. (1.1 L)

DISTANCE 25 FT. (7.6 M)